

SMEC MCV 6700



Type: Vertical machining center Vertical

Brand: SMEC

Model: MCV 6700

C.N.C: Fanuc 0iTF PLUS

Technical information

TABLE

Table dimensions: 1700x660 mm

Max weight allowed: 1300 kg

CAPACITY

Longitudinal X-travel: 1600 mm

Cross Y-travel: 670 mm

Vertical Z-travel: 520 mm

SPINDLE

Spindle nose: 40 ISO

Spindle speed: 12000 rpm.

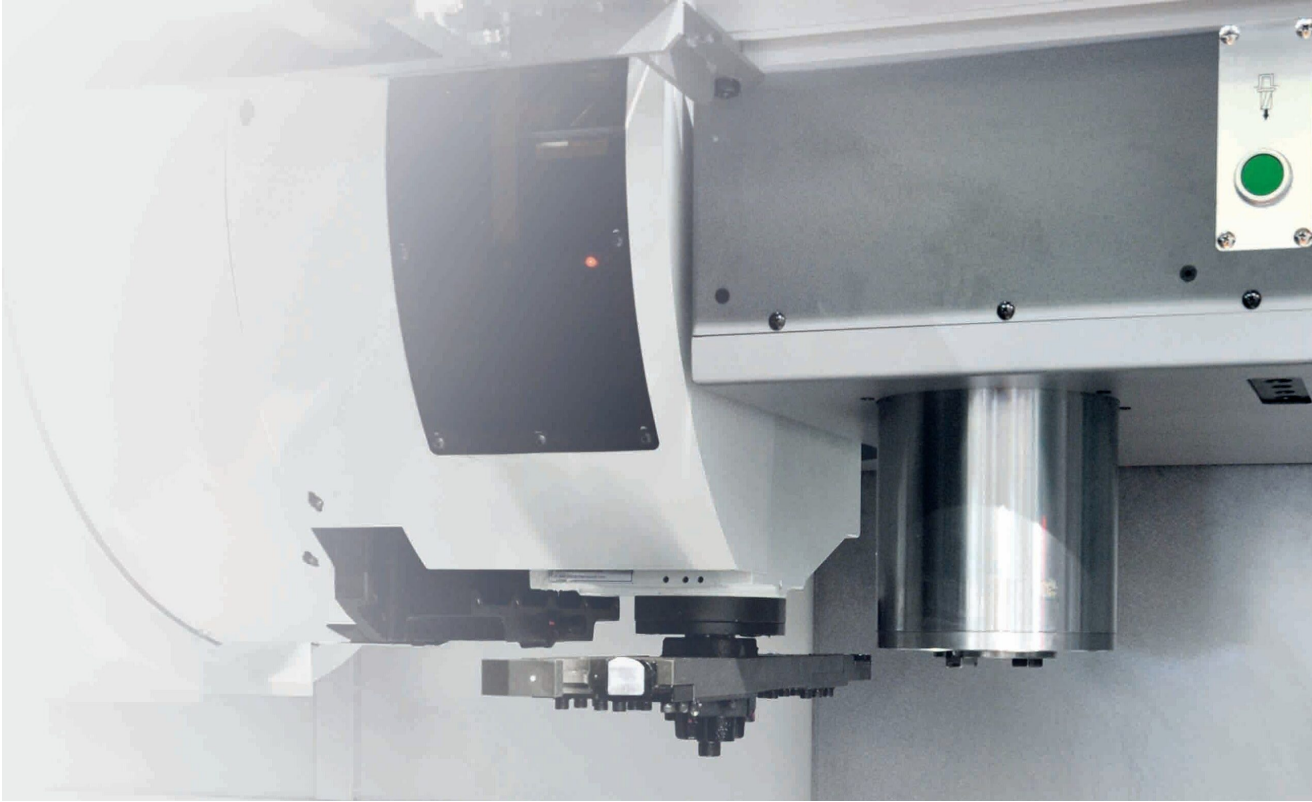
Motor power: 11 - 15 Kw

ADVANCES

Rapid X,Y,Z axis: 36000/36000/30000 mm/min

TOOL WAREHOUSE

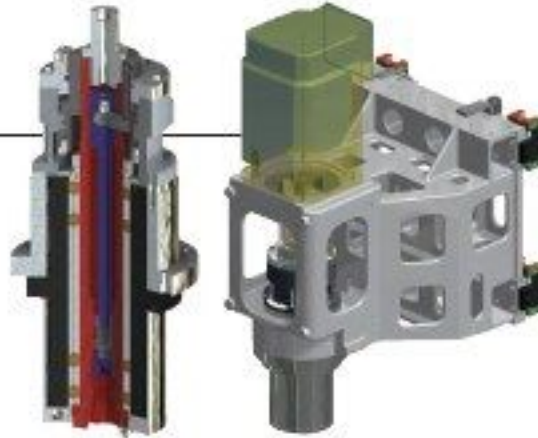
Tool Stations: 30 no.



Direct head

Spindle Speed
12,000 rpm

Spindle Motor
11/15/18.5 kW



Spindle is sustained by 4 rows P4 speedy angular ball bearing reducing temperature increasing to realize high speed and precision machining.

By adopting Direct Drive type spindle minimize vibration to excellent machining for nonmetal surface finishing.

Motor direct type is connected by coupling without extra power transmission.

Environment friendly chip disposal

By additional coil conveyor 2 sets coolant and chip disposal is improved, realizing perfect chip disposal through process in order

Bed Coolant Pipe(STD)

