

SMEC NS 2100AY-BY



Type: Cnc lathe

Brand: SMEC

Model: NS 2100AY-BY

C.N.C: Fanuc 0iTF PLUS

Technical information

CAPACITY

Turning Ø: 378 mm
Turning length: 520/490 mm

1ST SPINDLE

Spindle nose: A2-6 ASA
Bar capacity: 51(A) 67 (B) mm
Spindle speed: 6000 rpm
Motor power: 11/18.5 Kw

2ND SPINDLE

Spindle nose: 5 ASA
Bar capacity: 36 mm
Spindle speed: 6000 rpm
Motor power: 11/7.5 Kw

1ST TURRET

Tool Stations: 12
Motorized tools:: 20x20

II TURRET

Power turret: 12

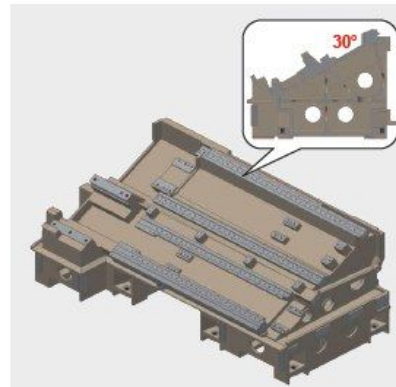
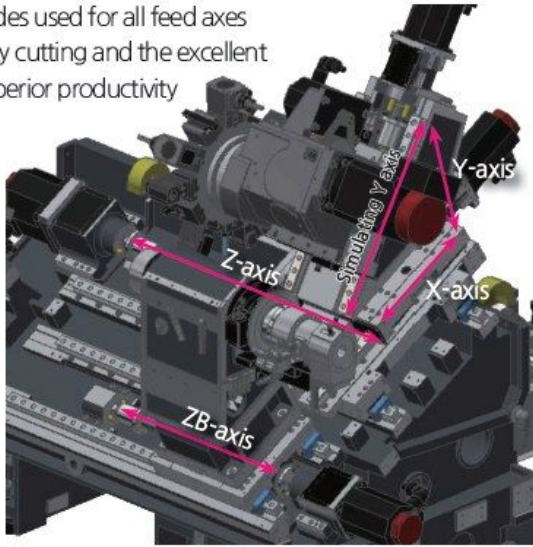
SPECIFIC PROPERTIES

X axis: 205 mm
Y axis stroke: 110 mm
Z axis: 590 mm
X axis rapid traverse: 30 m/min
Y axis rapid traverse: 10 m/min
Z axis rapid traverse: 36 m/min



Machine Design

Roller type LM Guides used for all feed axes supports heavy duty cutting and the excellent rigidity provides superior productivity



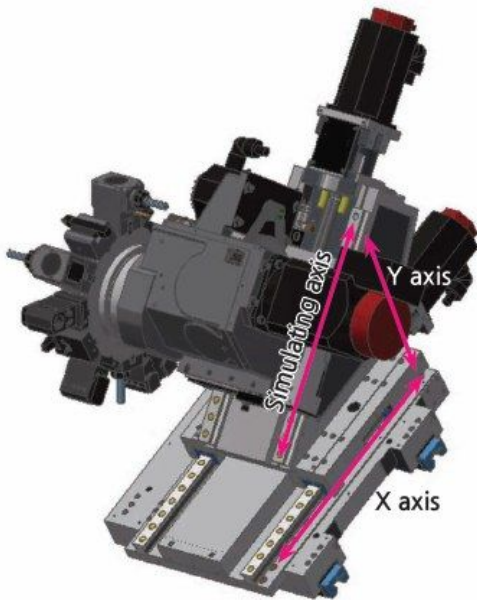
30° slant bed provides excellent stability during heavy duty cutting

The 30° slant bed with high-torque tubing and ribbed structure provide superb rigidity against twisting and bending, dampening vibration during heavy duty cutting for high precision machining

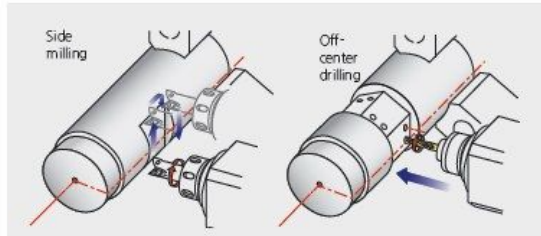
The use of a slant bed allows for easier access to the workpiece and excellent chip discharge

| Model | Main chuck size | Travel (mm) | | | | Rapid traverse (m/min) | | | |
|---------------|-----------------|-------------|----------|--------|---------|------------------------|--------|--------|---------|
| | | X-axis | Y-axis | Z-axis | ZB-axis | X-axis | Y-axis | Z-axis | ZB-axis |
| NS 2100AY/ASY | 6" | 205 | 110(±55) | 590 | 590 | 30 | 10 | 36 | 36 |
| NS 2100BY/BSY | 8" | 205 | 110(±55) | 590 | 590 | 30 | 10 | 36 | 36 |

Wedge type Y-axis with superb cutting performance



- Side milling, off-center drilling
- Wider off-center work range
- Complex shape machining with a single setup



| Category | Unit | NS 2100SY |
|---|------|-------------|
| No. of tool positions | ea | 12(24) |
| Turret type | | BMT45 |
| SHANK & BORING BAR SIZE | mm | □20×20, Ø32 |
| Turret indexing time (1station/full turn) | sec | 0.15/1 |
| Rotary tool speed | rpm | ~6,000 |
| Rotary tool motor power (max/cont) | kW | 5.5/3.7 |
| Rotary tool torque (max/cont) | N.m | 35/17.7 |

Spindle

