

WELE SB 216/316/416



Type: Vertical machining center Gantry

Brand: WELE

Model: SB 216/316/416

C.N.C: Fanuc 18iM

Technical information

TABLE

Table dimensions: 2000/3000/4000x1500 mm

CAPACITY

Longitudinal X-travel: 2120/3060/4060 mm

Cross Y-travel: 1600 mm

Vertical Z-travel: 800 mm

SPINDLE

Spindle nose: 50 ISO

Spindle speed: 6000 rpm.

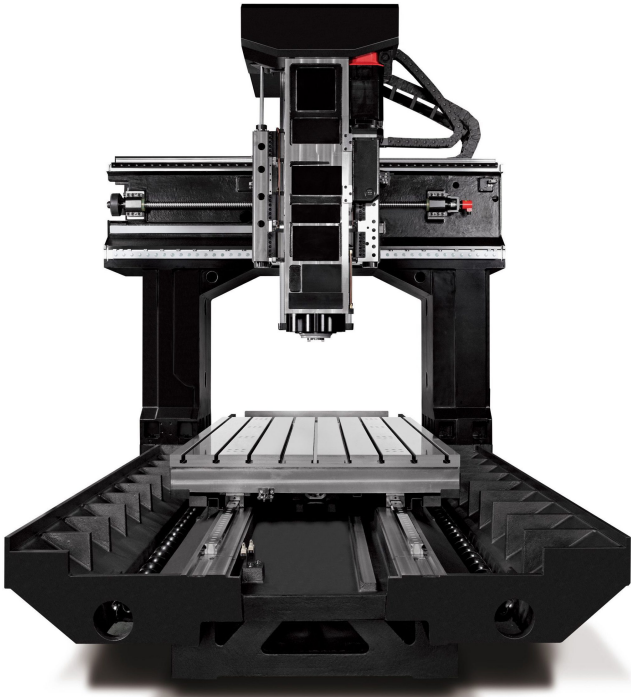
Motor power: 22 - 26 Kw

TOOL WAREHOUSE

Tool Stations: 32 no.

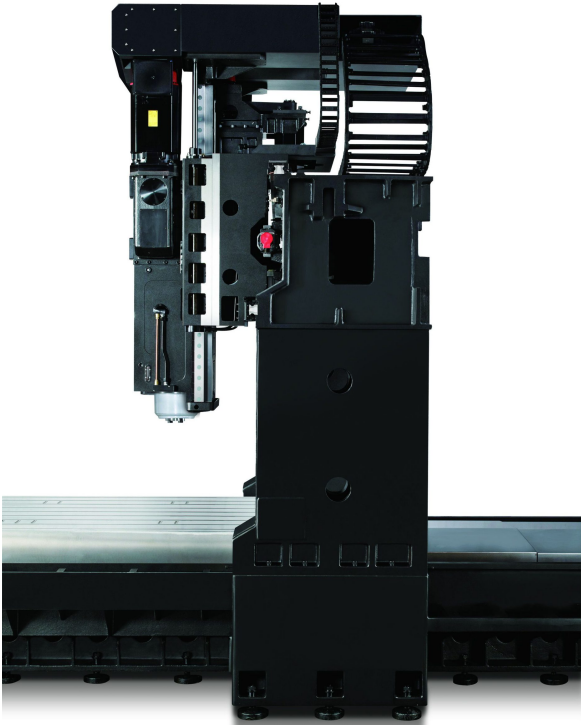
SPECIFIC PROPERTIES

Max table load capacity: 8000 kg





Macchine Utensili S.r.l.



GMV Macchine Utensili s.r.l.

Via G. Paglia, 9 - 24050 Zanica (BG) IT - Tel. +39 035 591673 - Fax +39 035 593245
VAT no. and tax code 03535620169 - www.gvmacchine.it - info@gmvitalia.it

