



We lead the way by a new business model



WELE MECHATRONIC CO., LTD
(<http://www.welegroup.com>)

HEADQUARTERS:
No.458, Shinsing Rd., Hukou Town, Hsin-Chu County 303, Taiwan
TEL : +886-3-696-0360 (rep.) FAX : +886-3-696-0370

TAICHUNG BRANCH:
No.356, Sanfeng Rd., Houli Dist., Taichung City 421, Taiwan
TEL : +886-4-2558-0762 FAX : +886-4-2558-2334

WELE MECHATRONIC (SU-ZHOU) CO., LTD.

No. 8, Ma-Qiao Industrial Block, Chang-Shu Economic
Development Zone, Chang-Shu City, Jiang-Su Province,
215513, China
TEL : +86-512-5229-7868 FAX : +86-512-5229-7866
SALES: 150-5141-3969,150-5141-3981



1201601 MaCiS TEL:01-2735326

SB LB SERIES

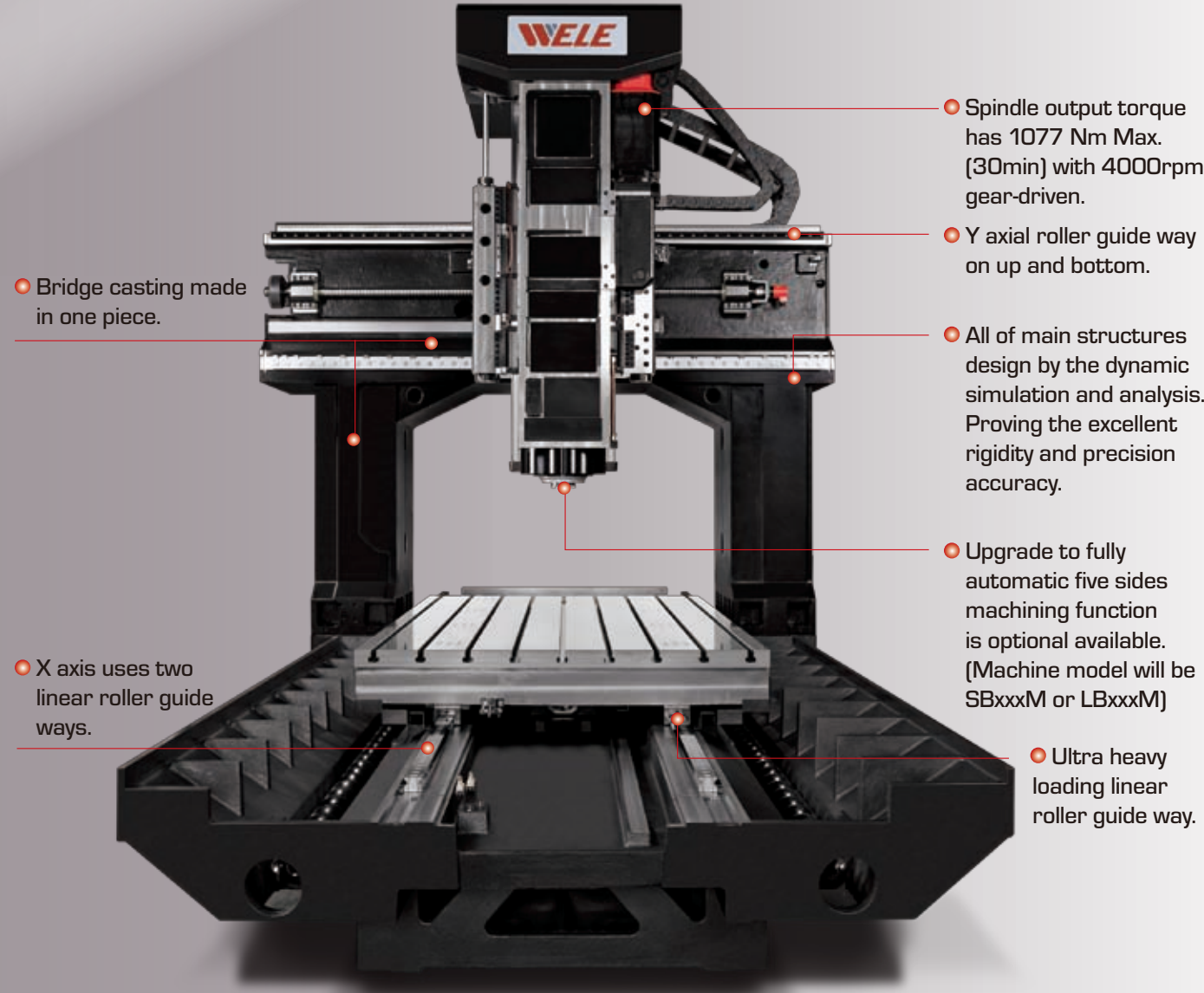


Double Column
Machining Center ▶▶▶▶▶

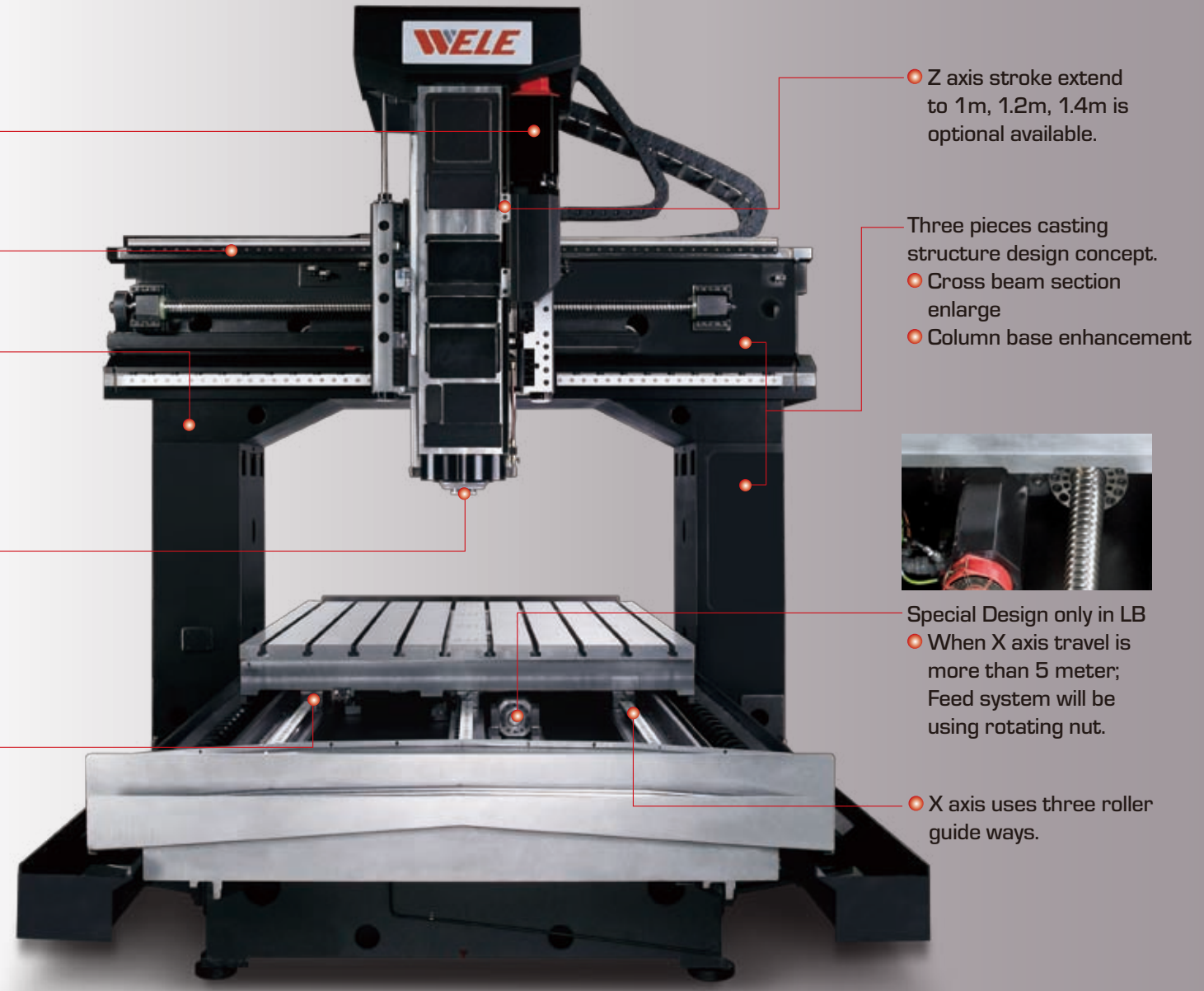
WELE MECHATRONIC CO., LTD

LB-321	LB-421	LB-521	LB-325	LB-425	LB-525	LB-625	AA65 Series	AA80 Series	AA90 Series	AQ Series	VQ Series	UG Series	VTC Serie	
				SB-216	SB-316	SB-416	RB Series	SB Series	LB Series	MB Series	HB Series	UB Series	MG Series	MVB Series

Genius and Sturdy structure design in SB / LB series



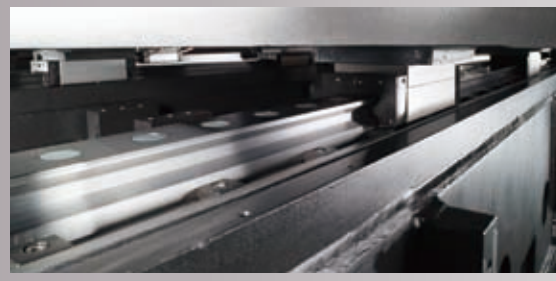
* Above figure is SB-216 machine shown main body structure without sheet metal.



* Above figure is LB-321 machine shown main body structure without sheet metal.



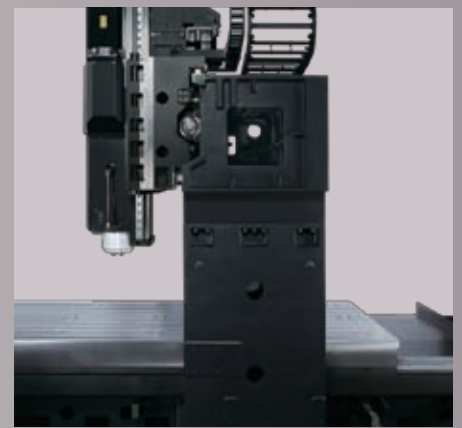
* Lateral view of SB series.



Ultra heavy loading linear roller guide way.



Torque limit mechanism in three axes.



* Lateral view of LB series.

LB-321	LB-421	LB-521	LB-325	LB-425	LB-525	LB-625	AA65 Series	AA80 Series	AA90 Series	AQ Series	VQ Series	UG Series	VTC Serie	
				SB-216	SB-316	SB-416	RB Series	SB Series	LB Series	MB Series	HB Series	UB Series	MG Series	MVB Series

Super Bridge series

- Bridge casting made in one piece.
- SB series Max. stroke (X/Y/Z) :4060/ 2300/ 800 mm.



• Online video • Online spec.

* Above figure is SB-316M machine indicate M function and upgraded to five sides machining optional available on this series.

ITEM	UNIT	SB-216	SB-316	SB-416
X travel (Left & right)	mm (in)	2120 (83.5)	3060 (120.5)	4060 (159.8)
Y travel (in & out)	mm (in)	1600 (63)		
Z travel (up & down)	mm (in)	800 (31.5)		
Table size (X direction)	mm (in)	2000 (78.7)	3000 (118.1)	4000 (157.5)
Table size (Y direction)	mm (in)	1500 (59.1)		
Table load capacity	kg (lb)	8000 (17637)	10000 (22046)	12000 (26455)

Large Bridge series

- LB series Max. stroke (X/Y/Z) : 7060 / 4000/ 1400 mm.
- Y axis extend to 2800, 3200, 3350, and 4000 mm available as optional.
- Z axis is 800 mm as standard; 1000, 1200, and 1400 mm available as option.



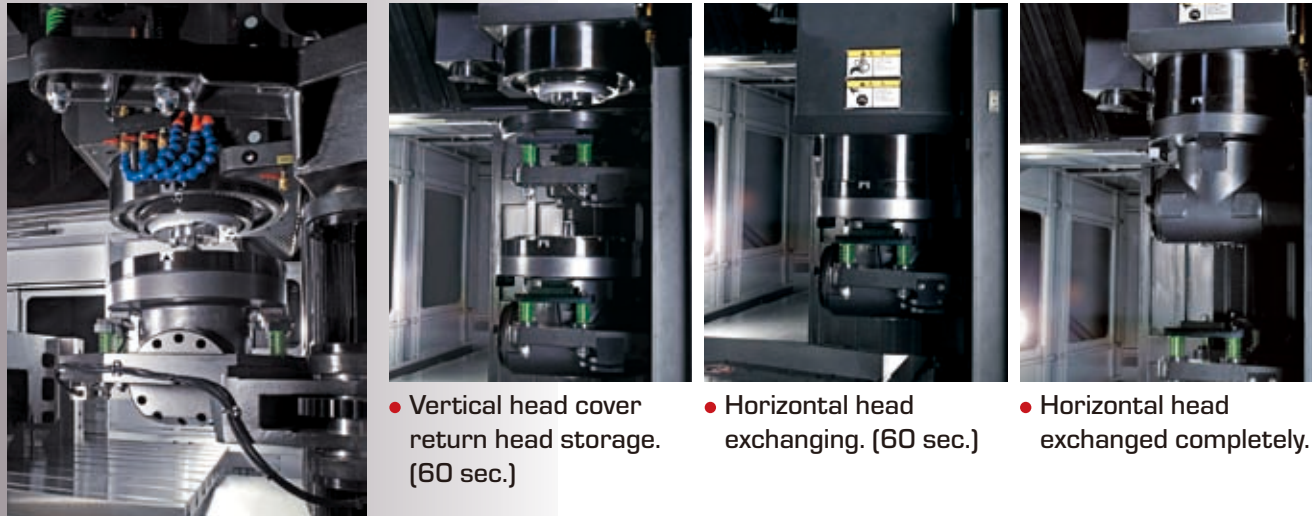
• Online video • Online spec.

* Above figure is LB-321M machine indicate M function and upgraded to five sides machining optional available on this series.

ITEM	UNIT	LB-321	LB-421	LB-521	LB-325	LB-425	LB-525	LB-625
X travel (Left & right)	mm (in)	3060 (120.5)	4060 (159.8)	5060 (199.2)	3060 (120.5)	4060 (159.8)	5060 (199.2)	6060 (238.6)
Y travel (in & out)	mm (in)	2150 (84.6)			2550 (100.4)			
Z travel (up & down)	mm (in)	800 (31.5)			800 (31.5)			
Table size (X direction)	mm (in)	3000 (118.1)	4000 (157.5)	5000 (196.9)	3000 (118.1)	4000 (157.5)	5000 (196.9)	6000 (236.2)
Table size (Y direction)	mm (in)	2000 (78.7)			2400 (94.5)			
Table load capacity	kg (lb)	12000 (26455)	15000 (33069)	18000 (39683)	12000 (26455)	15000 (33069)	18000 (39683)	20000 (44092)

Compact and Economic 5 Sides Machining Function As Option M function (Model: SBxxxM/ LBxxxM)

• Auto head exchange process



• Vertical head cover return head storage. (60 sec.)

• Horizontal head exchanging. (60 sec.)

• Horizontal head exchanged completely.

• Five sides machining application



• Machining process in vertical direction.

• Machining process in horizontal direction. (C axis auto index.)

• Machining process in horizontal direction. (C axis auto index.)

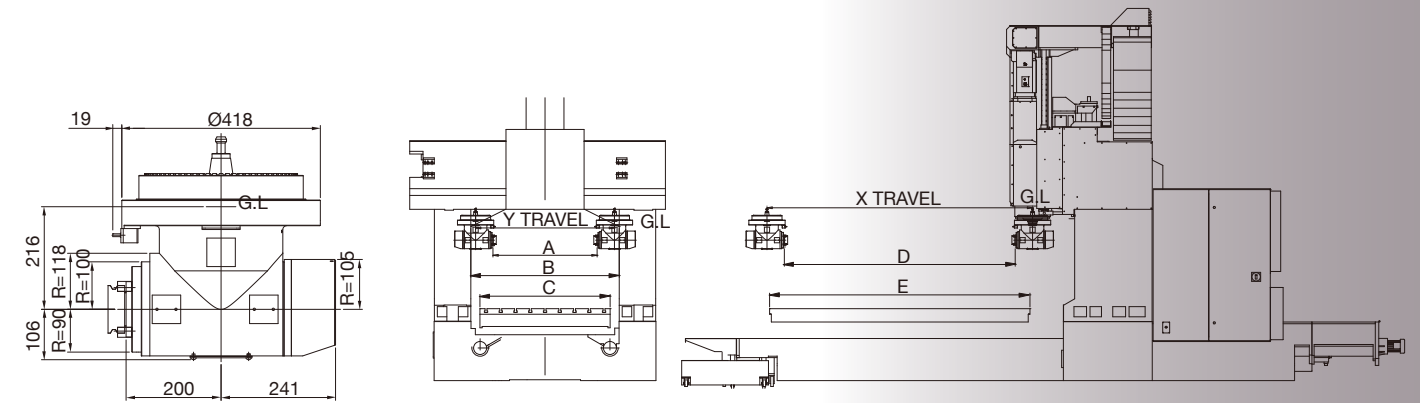
• Auto Tool Exchange in horizontal / vertical type



• Automatic tool exchange in horizontal. (chip to chip 50 sec.)

• Automatic tool exchange in vertical. (chip to chip 35 sec.)

• Inside of working envelope dimension - Horizontal

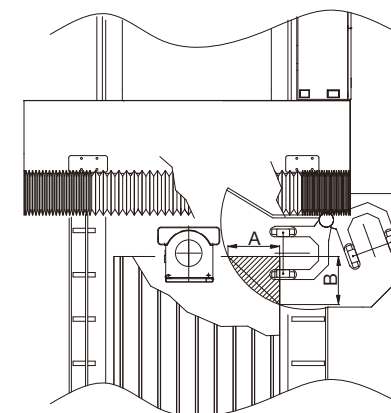


• Horizontal head dimensions

Unit : mm(inch)

Model	X TRAVEL	Y TRAVEL	A	B	C	D	E	
SBxxxM	SB-216M	2120 (83.5)	1600 (63)	1200 (47.2)	1700 (66.9)	1500 (59.1)	1720 (67.7)	2000 (78.7)
	SB-316M	3060 (120.5)	1600 (63)	1200 (47.2)	1700 (66.9)	1500 (59.1)	2660 (104.7)	3000 (118.1)
	SB-416M	4060 (159.8)	1600 (63)	1200 (47.2)	1700 (66.9)	1500 (59.1)	3660 (144.1)	4000 (157.5)
LBxxxM	LB-321M	3060 (120.5)	2150 (84.6)	1750 (68.9)	2300 (90.6)	2000 (78.7)	2660 (104.7)	3000 (118.1)
	LB-421M	4060 (159.8)	2150 (84.6)	1750 (68.9)	2300 (90.6)	2000 (78.7)	3660 (144.1)	4000 (157.5)
	LB-521M	5060 (199.2)	2150 (84.6)	1750 (68.9)	2300 (90.6)	2000 (78.7)	4660 (183.5)	5000 (196.9)
	LB-325M	3060 (120.5)	2550 (100.4)	2150 (84.6)	2700 (106.3)	2400 (94.5)	2660 (104.7)	3000 (118.1)
	LB-425M	4060 (159.8)	2550 (100.4)	2150 (84.6)	2700 (106.3)	2400 (94.5)	3660 (144.1)	4000 (157.5)
	LB-525M	5060 (199.2)	2550 (100.4)	2150 (84.6)	2700 (106.3)	2400 (94.5)	4660 (183.5)	5000 (196.9)
	LB-625M	6060 (238.6)	2550 (100.4)	2150 (84.6)	2700 (106.3)	2400 (94.5)	5660 (222.8)	6000 (236.2)

• Interference area in head exchange



• Top view

Unit : mm(inch)

Model	Distance between columns	Table width	A (Y axis)	B (X axis)
SB-x16M	1700 (66.9)	1500 (59.0)	265 (10.4)	315 (12.4)
LB-x21(Z)M	2300 (90.5)	2000 (78.7)	265 (10.4)	315 (12.4)
LB-x25(Z)M	2700 (106.3)	2400 (94.5)	265 (10.4)	315 (12.4)

LB-321	LB-421	LB-521	LB-325	LB-425	LB-525	LB-625	AA65 Series	AA80 Series	AA90 Series	AQ Series	VQ Series	UG Series	VTC Serie	
				SB-216	SB-316	SB-416	RB Series	SB Series	LB Series	MB Series	HB Series	UB Series	MG Series	MVB Series

Genius Design and Experienced Technology



- Machine accuracy is based on flatness less than $3\ \mu\text{m}$ in 1.2m by 1.2m. (JIS 0 grade standard: flatness less than $7\ \mu\text{m}$ in 1m by 1m).



- Keep improving MC quality by the strict accuracy control and machining test data through high precision 3D CMM measuring equipment WENZEL (Germany).



- Own developed key component capable to keep high performance and geometric accuracy quality.

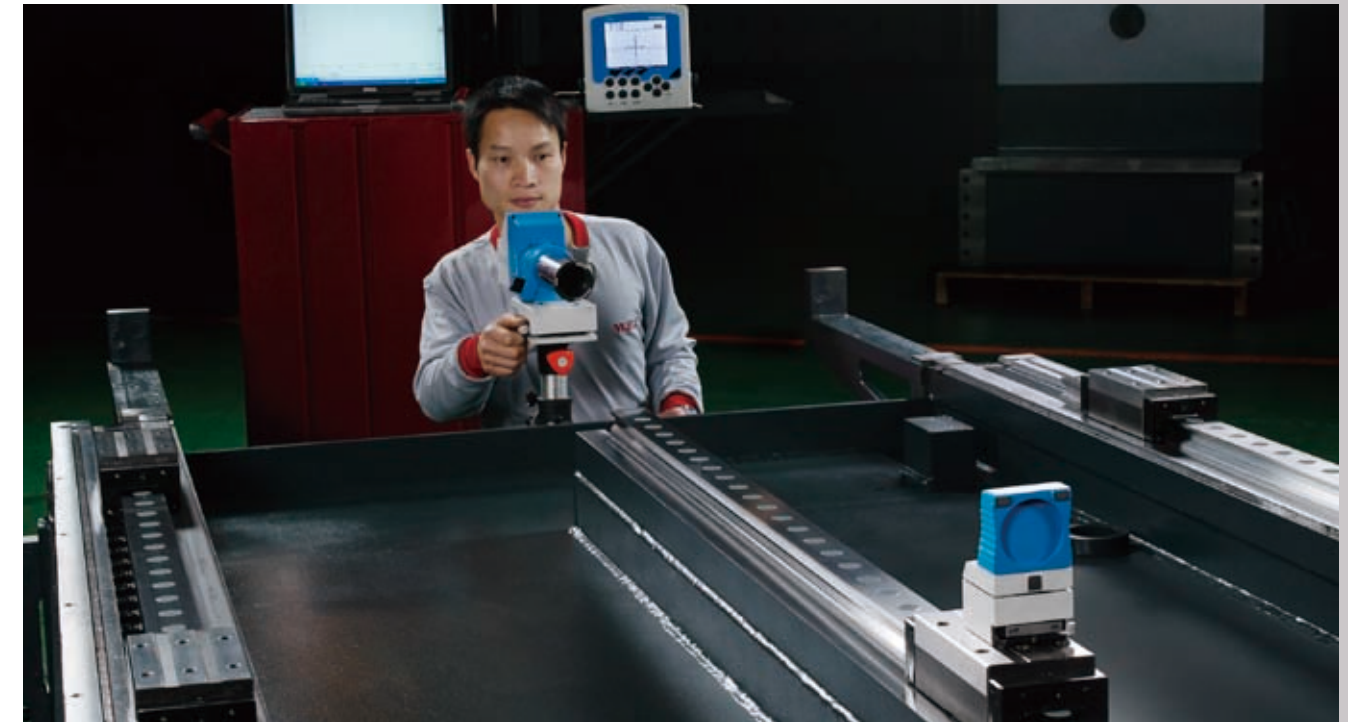


- 24 hours gear transmission trial run to conform spindle noise and temperature variation to stable condition.



- More than 20 years design and manufacture experiences to build every spindle through dynamic balance check with constant temperature control.

Strictly Quality Assurance



- 50% higher than JIS standard make excellent quality and geometric accuracy by German standard VDI 3441.



- Positioning and repeatability accuracy measurement.



- Circular interpolation test



- NASA standard test process guarantees machine performance with geometric and dimension accuracy.

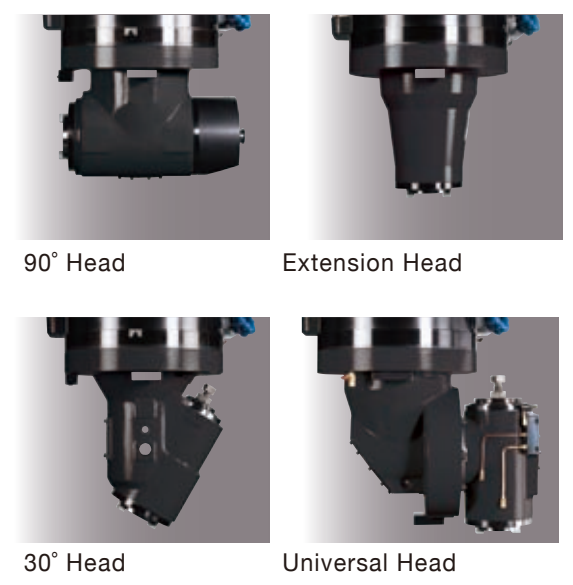


- Noise and vibration measurement.

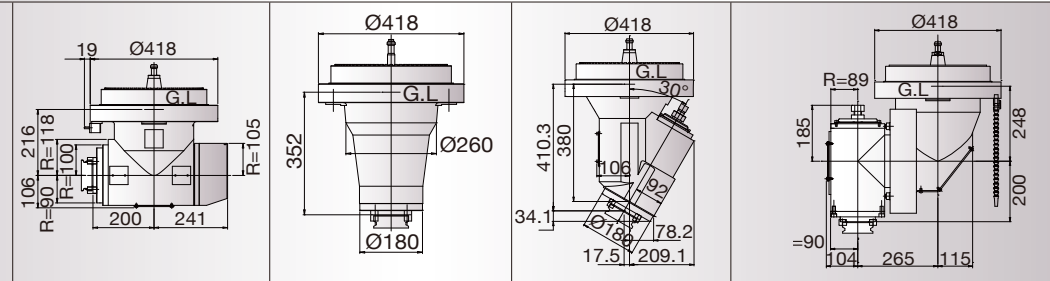
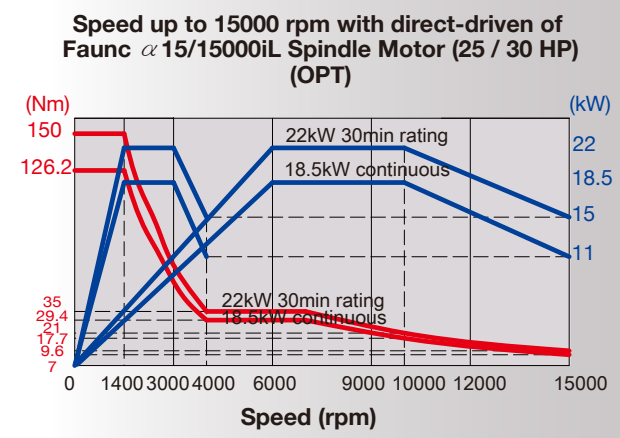
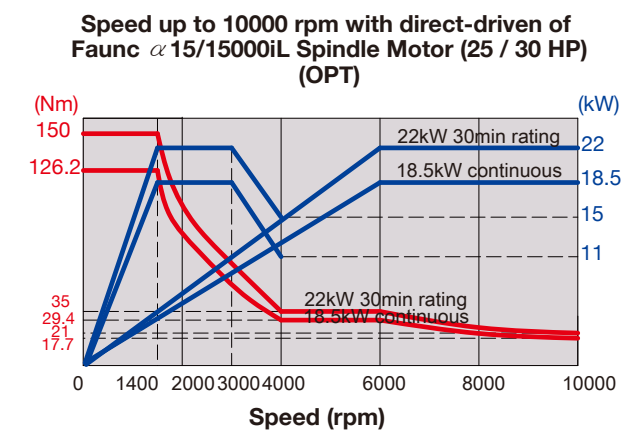
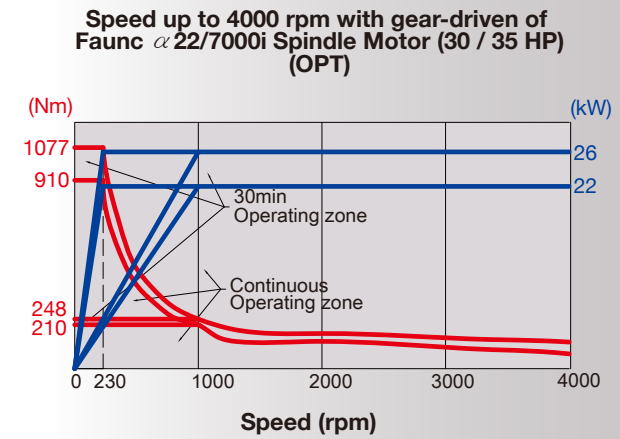
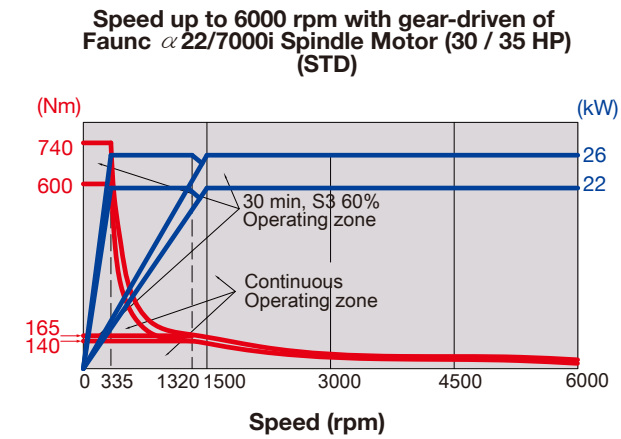


Powerful spindle

Two speeds geared transmission box adoption can successfully ensure ultra heavy-duty and combined rough machining jobs. Several optional direct-driven spindles are also available for light alloy material or high speed machining requirements.



Spindle Torque chart



Type	90° Head	Extension Head	30° Head	Universal Head
Specification				
Spindle Taper	#50	#50	#50	#50
Sub Spindle Taper	BT50	BT50	BT50	BT50
Max. Tool diameter, mm(in)	215 (8.46)	215 (8.46)	215 (8.46)	215 (8.46)
Max. output torque, kW(HP)	15 (20)	18.5 (25)	15 (20)	15 (20)
Spindle speed, (rpm)	2400	4000	2000	2000
Manual indexing type attach head				
Tool Clamp method	Manual	Manual	Manual	Manual
Head exchange method	Manual	Manual	Manual	Manual
Index method	Manual C axis 90° index	Not necessary	Manual C axis 90° index	Manual C axis 90° index, A axis index every 5° manually
Automatic indexing type attach head				
Tool Clamp method	Automatic	Manual	Manual	Manual
Head exchange method	Automatic	Manual	Manual	Manual
Index method	Auto C axis every 5° index	Not necessary	Auto C axis every 5° index	Auto C axis, manual A axis every 5° index.

Outstanding Machining Performance



Face milling with 6000 rpm geared spindle	
Material	S45C
Tool diameter	φ 125mm
Speed	477 rpm
Cutting width	100 mm
Cutting depth	6 mm
Feedrate	1000 mm/min
Spindle motor power	22 kW
Removal rate	27 cc/min-kW
Cutting capacity	600 cc/min

LB-321	LB-421	LB-521	LB-325	LB-425	LB-525	LB-625	AA65 Series	AA80 Series	AA90 Series	AQ Series	VQ Series	UG Series	VTC Serie	
				SB-216	SB-316	SB-416	RB Series	SB Series	LB Series	MB Series	HB Series	UB Series	MG Series	MVB Series

Leading and Reliable Electrical Technology

- Friendly operator control panel.
- On AUTO mode, execute tool exchange at magazine side.
- Prevent over travel (OT) error in operation
- High efficiency heat exchanger to cooling the electrical cabinet
- UL wiring and CE certification are optional available.
- Centralize automatic lubricating system on all axial guideway and feed system.
- Design for monitor of spindle overloading and protection.
- Auto-backup function for machine parameters.
- USB interface for data transfer.
- Mix type tool number management including random and fix Tool#.
- Trouble shooting screen in NC memory.
- Standard is AICC look ahead in 200 blocks/sec. ; 600, 1000 blocks/sec. are optional available.



User friendly accessories



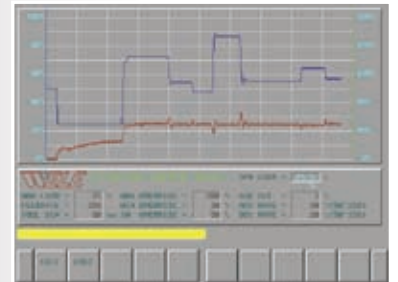
- Spray gun and air blast (STD)
- Operation cycle finish and alarm lights (STD)
- RS-232 and Ethernet interface (STD)

Advance Technology and Convenient Functions



Thermal Compensation Mode (TCM-Option)

Environmental and machining temperature can bring the caused the machine deformation. An unique technology of thermal compensation function can be reduced the machine error correctly.



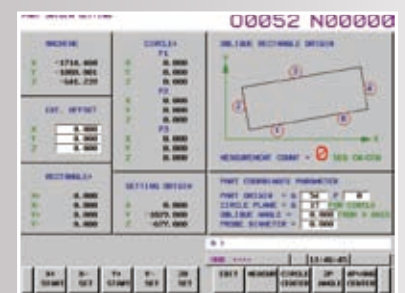
Feed Adaptive Control (FAC)

To provide the customer increase their working efficiency. We called it FAC (Feed Adaptive Control). It does not need any adjustment the machine can reach a perfect cutting condition while the machine in operation.



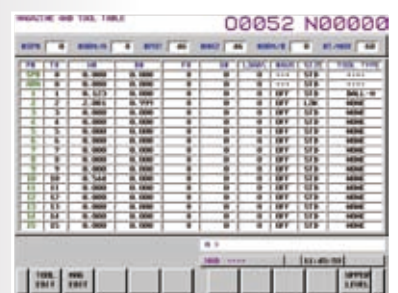
Tool Magazine Panel and I/O diagnose

To provide the customers diagnose the tool magazine's I/O status be conveniently and do the trouble shooting.



Oblique Part Origin (OPO)

The function is not only create the reference points in one workpiece but also calculates the length, width, and diameter of workpiece. and it will be defined the workpiece dimension rapidly.

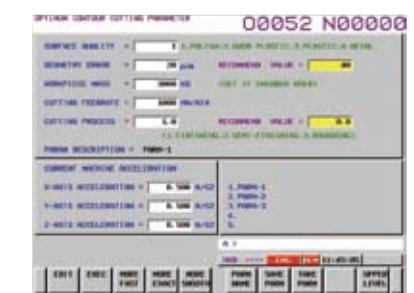


Tool Table Management (TTM)

The WELE Tool Table has its advantage as below:

- Tool number management
- Geometric compensation
- Cutting condition setting
- Random tool management.

Mentioned above function can be provided to meet the requirement of the customer.



Optimum Contour Cutting Parameter (OCCP)

WELE own developed the unique optimized cutting condition software which can be adjusting the cutting condition automatically according to the machine response presently. When the machine is using for a while, the optimized cutting condition software can be detected the variation of the machine performance and verify the parameter in accordingly.



- 32 tools tool magazine (STD); 60,90 tools as option.



- Caterpillar type chip conveyor and standard coolant tank (STD)



- Swing type one head storage on the right column. (OPT)



- Index mechanism in every 90 degree for manual multi-head. (OPT)



- Index mechanism in every 5 degree for automatic multi-head. (OPT)



- Oil skimmer. (OPT)

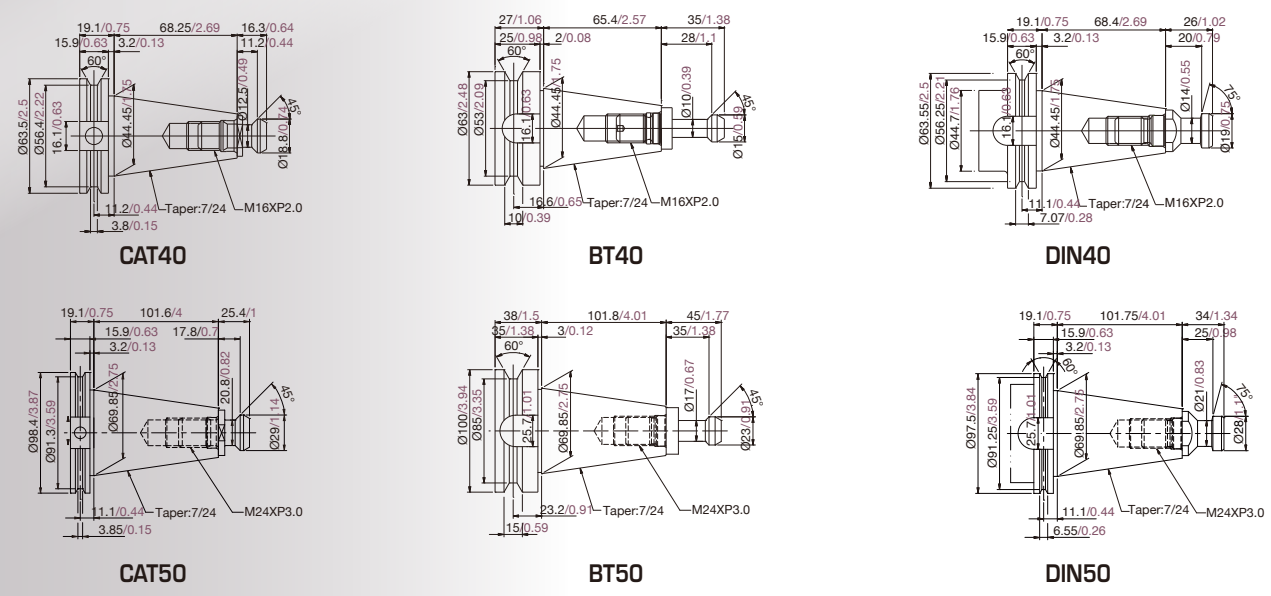


- Automatic tool length measurement. (OPT)

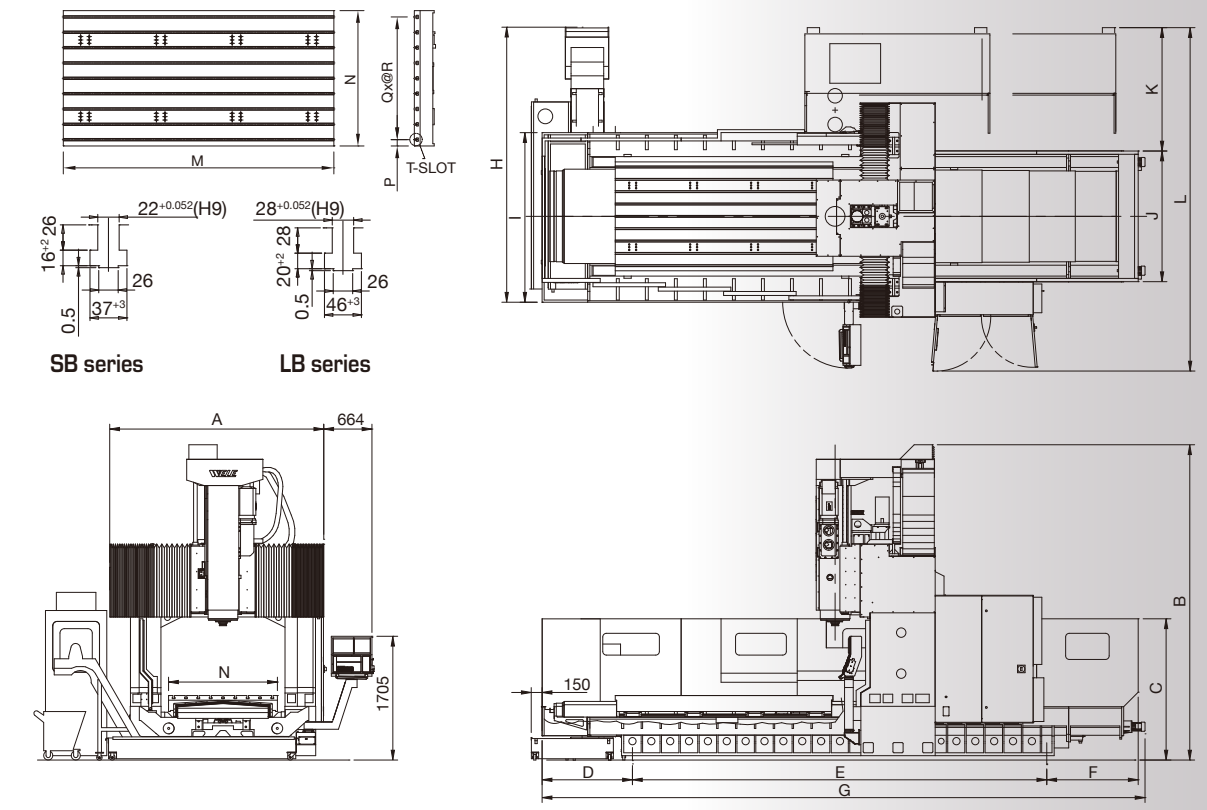
LB-321	LB-421	LB-521	LB-325	LB-425	LB-525	LB-625	AA65 Series	AA80 Series	AA90 Series	AQ Series	VQ Series	UG Series	VTC Serie	
				SB-216	SB-316	SB-416	RB Series	SB Series	LB Series	MB Series	HB Series	UB Series	MG Series	MVB Series

Tool Shank and Pull Stud Dimensions

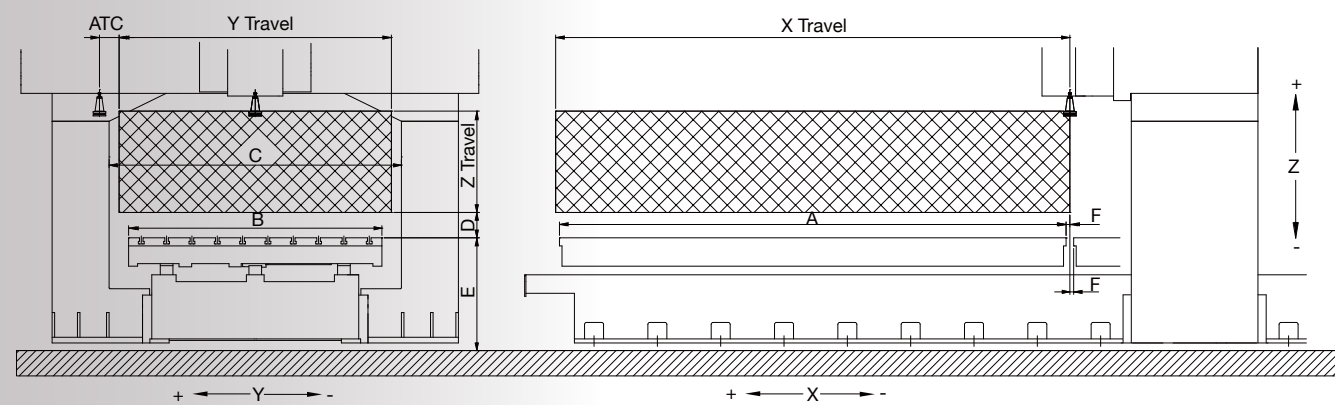
Unit: mm (inch)



Machine Dimension and Space Requirement



Inside of Working Envelope Dimensions-Vertical



Unit: mm (inch)

Model \ Item	A	B	C	D	E	F	ATC	
SB	SB-216	2000 (78.7)	1500 (59.1)	1700 (66.9)	200 (7.9)	890 (35)	60 (2.4)	155 (6.1)
	SB-316	3000 (118.1)	1500 (59.1)	1700 (66.9)	200 (7.9)	890 (35)	60 (2.4)	155 (6.1)
	SB-416	4000 (157.5)	1500 (59.1)	1700 (66.9)	200 (7.9)	890 (35)	60 (2.4)	155 (6.1)
LB	LB-321	3000 (118.1)	2000 (78.7)	2300 (90.6)	200 (7.9)	890 (35)	30 (1.2)	155 (6.1)
	LB-421	4000 (157.5)	2000 (78.7)	2300 (90.6)	200 (7.9)	890 (35)	30 (1.2)	155 (6.1)
	LB-521	5000 (196.9)	2000 (78.7)	2300 (90.6)	200 (7.9)	890 (35)	30 (1.2)	155 (6.1)
	LB-325	3000 (118.1)	2400 (94.5)	2700 (106.3)	200 (7.9)	890 (35)	30 (1.2)	155 (6.1)
LB	LB-425	4000 (157.5)	2400 (94.5)	2700 (106.3)	200 (7.9)	890 (35)	30 (1.2)	155 (6.1)
	LB-525	5000 (196.9)	2400 (94.5)	2700 (106.3)	200 (7.9)	890 (35)	30 (1.2)	155 (6.1)
	LB-625	6000 (236.2)	2400 (94.5)	2700 (106.3)	200 (7.9)	890 (35)	30 (1.2)	155 (6.1)

Unit : mm (inch)

Model \ Item	A	B	C	D	E	F	G	H	I	J	K	L	M	N	P	Q	R	
SB	SB-216			990 (39)	3772 (148.5)		6250 (246.1)						2000 (78.7)					
	SB-316	2980 (117.3)	4350 (171.3)	1800 (70.9)	1205 (47.4)	5711 (224.8)	1300 (51.2)	8300 (326.8)	3700 (145.7)	2336 (92)	1810 (71.3)	1900 (74.8)	4950 (194.9)	3000 (118.1)	1500 (59.1)	70 (2.8)	8 (0.3)	170 (6.7)
	SB-416				1280 (50.4)	7783 (306.4)		10250 (403.5)						4000 (157.5)				
LB	LB-321			1565 (61.6)	5544 (218.3)	1175 (46.3)	8630 (339.8)						3000 (118.1)					
	LB-421	3650 (143.7)	4350 (171.3)	1950 (76.8)	1385 (54.5)	7644 (300.9)	1240 (48.8)	10590 (416.9)	4550 (179.1)	2935 (115.6)	2550 (100.4)	1680 (66.1)	5400 (212.6)	4000 (157.5)	2000 (78.7)	100 (3.9)	10 (0.4)	200 (7.9)
	LB-521				1400 (55.1)	9720 (382.7)	1490 (58.7)	12910 (508.3)					5000 (196.9)					
	LB-325				1565 (61.6)	5544 (218.3)	1175 (46.3)	8630 (339.8)					3000 (118.1)					
LB	LB-425				1385 (54.5)	7644 (300.9)	1240 (48.8)	10590 (416.9)	4950 (194.9)	3335 (131.3)	2950 (116.1)	1680 (66.1)	5800 (228.3)	4000 (157.5)	2400 (94.5)	100 (3.9)	12 (0.5)	200 (7.9)
	LB-525				1400 (55.1)	9720 (382.7)	1240 (48.8)	12660 (498.4)					5000 (196.9)					
	LB-625	4050 (159.4)	4350 (171.3)	1950 (76.8)									6000 (236.2)					

LB-321	LB-421	LB-521	LB-325	LB-425	LB-525	LB-625	AA65 Series	AA80 Series	AA90 Series	AQ Series	VQ Series	UG Series	VTC Serie	
				SB-216	SB-316	SB-416	RB Series	SB Series	LB Series	MB Series	HB Series	UB Series	MG Series	MVB Series

Technical Specifications

Specification \ Model	UNIT	SB-216	SB-316	SB-416	LB-321	LB-421	LB-521	LB-325	LB-425	LB-525	LB-625	
Travel												
X travel (Left & right)	mm (in)	2120 (83.5)	3060 (120.5)	4060 (159.8)	3060 (120.5)	4060 (159.8)	5060 (199.2)	3060 (120.5)	4060 (159.8)	5060 (199.2)	6060 (238.6)	
Y travel (in & out)	mm (in)		1600 (63)			2150 (84.6)			2550 (100.4)			
Z travel (up & down)	mm (in)		800 (31.5)			800 (31.5)			800 (31.5)			
Distance from spindle nose to table top	mm (in)		200-1000 (7.9-39.4)			200-1000 (7.9-39.4)			200-1000 (7.9-39.4)			
Distance between columns	mm (in)		1700 (66.9)			2300 (90.6)			2700 (106.3)			
Table												
Table size (X direction)	mm (in)	2000 (78.7)	3000 (118.1)	4000 (157.5)	3000 (118.1)	4000 (157.5)	5000 (196.9)	3000 (118.1)	4000 (157.5)	5000 (196.9)	6000 (236.2)	
Table size (Y direction)	mm (in)		1500 (59.1)			2000 (78.7)			2400 (94.5)			
Table load capacity	kg (lb)	8000 (17637)	10000 (22046)	12000 (26455)	12000 (26455)	15000 (33069)	18000 (39683)	12000 (26455)	15000 (33069)	18000 (39683)	20000 (44092)	
Table T slot size (W x distance x number)	mm (in)		22x170x9 (0.866x6.7x9)			28x200x10 (1.1x7.87x10)			28x200x12 (1.1x7.87x12)			
Spindle												
Spindle motor (cont./30 min. rating)	kW (HP)		22/26 (30/35)			22/26 (30/35)			22/26 (30/35)			
Spindle driven type			Gear Driven			Gear Driven			Gear Driven			
Spindle speed	rpm		10-6000			10-6000			10-6000			
Spindle output torques (cont./ 30 min. rating)	Nm (ft-lb)		626.2/740.1 (461.8/545.8)			626.2/740.1 (461.8/545.8)			626.2/740.1 (461.8/545.8)			
Spindle taper			BT#50 (ISO 50)			BT#50 (ISO 50)			BT#50 (ISO 50)			
Spindle clamping force	kg (lb)		1800 (3968)			1800 (3968)			1800 (3968)			
Spindle bearing diameter	mm (in)		100 (3.9)			100 (3.9)			100 (3.9)			
Feedrate												
Rapid traverse rate X axis	mm (in)/min		24000 (944.9)	20000 (787.4)	24000 (944.9)	18000 (708.7)	15000 (590.6)	24000 (944.9)	18000 (708.7)	15000 (590.6)	12000 (472.4)	
Rapid traverse rate Y axis	mm (in)/min		24000 (944.9)			20000 (787.4)			20000 (787.4)			
Rapid traverse rate Z axis	mm (in)/min		15000 (590.6)			15000 (590.6)			15000 (590.6)			
Cutting feedrate (max)	mm (in)/min		1-10000 (0.04-393.7)			1-10000 (0.04-393.7)			1-10000 (0.04-393.7)		1-9000 (0.04-354.3)	
Tool magazine												
Tool magazine capacity	pockets		32			32			32			
Max. tool diameter / adjacent pocket empty	mm (in)		127/215 (5.0/8.5)			127/215 (5.0/8.5)			127/215 (5.0/8.5)			
Max. tool length (from gauge line)	mm (in)		400 (15.7)			400 (15.7)			400 (15.7)			
Max. tool weight	kg (lb)		20 (44)			20 (44)			20 (44)			
Accuracy												
Positioning accuracy (JIS 6338)	mm (in)		±0.01 (±0.004) / full travel			±0.015 (±0.006) / full travel			±0.015 (±0.006) / full travel			
Positioning accuracy (VDI 3441)	mm (in)		P≤0.020 (P≤0.0008)	P≤0.025 (P≤0.0010)	P≤0.030 (P≤0.0012)	P≤0.025 (P≤0.001)	P≤0.030 (P≤0.0012)	P≤0.040 (P≤0.0015)	P≤0.025 (P≤0.0010)	P≤0.030 (P≤0.0012)	P≤0.040 (P≤0.0016)	P≤0.050 (P≤0.0020)
Repeatability (JIS 6338)	mm (in)		±0.003 (±0.0001)			±0.003 (±0.0001)			±0.003 (±0.0001)			
Repeatability (VDI 3441)	mm (in)		Ps≤0.015 (Ps≤0.0006)	Ps≤0.020 (Ps≤0.0008)	Ps≤0.025 (Ps≤0.0010)	Ps≤0.020 (Ps≤0.0008)	Ps≤0.025 (Ps≤0.001)	Ps≤0.030 (Ps≤0.0012)	Ps≤0.020 (Ps≤0.0008)	Ps≤0.025 (Ps≤0.0010)	Ps≤0.030 (Ps≤0.0012)	Ps≤0.035 (Ps≤0.0014)
Other												
Total required power (AC220V ±10%, 3 Phase, 60/50 Hz)	kVA		50	60		60			60			
Pneumatic pressure requirement	kg/cm ²		5			5			5			
Lubrication oil tank capacity	liter (gallon)		6 (1.58)			6 (1.58)			6 (1.58)			
Axis guide-ways			Linear ROLLER WAY			Linear ROLLER WAY			Linear ROLLER WAY			
Space requirement												
Machine length (area required)	mm (in)	5900 (232.3)	8300 (326.8)	10200 (401.6)	8610 (339)	10590 (416.9)	12910 (508.3)	8610 (339)	10590 (416.9)	12660 (498.4)	14750 (580.7)	
Machine width (area required)	mm (in)		4650 (183.1)			5300 (208.7)			5700 (224.4)			
Machine height	mm (in)		4400 (173.2)			4350 (171.3)			4350 (171.3)			
Machine weight (about)	kg (lb)	22000 (48502)	27000 (59525)	29000 (63934)	29500 (65036)	35500 (78264)	40000 (88185)	32300 (71209)	39000 (85980)	44500 (98106)	50000 (110231)	

**Product specifications and accessories are subject to change without notice.

**Special order like SBx23, LBx30, LBx40, LBx33 etc. are also available on request.

LB-321	LB-421	LB-521	LB-325	LB-425	LB-525	LB-625	AA65 Series	AA80 Series	AA90 Series	AQ Series	VQ Series	UG Series	VTC Serie	
				SB-216	SB-316	SB-416	RB Series	SB Series	LB Series	MB Series	HB Series	UB Series	MG Series	MVB Series

Standard and Optional accessories

Specification \ Model	SB-216	SB-316	SB-416	LB-321	LB-421	LB-521	LB-325	LB-425	LB-525	LB-625
*BT50 spindle taper+MAS pull stud	●	●	●	●	●	●	●	●	●	●
*DIN50 spindle taper	○	○	○	○	○	○	○	○	○	○
*CAT50 spindle taper+ANSI pull stud	○	○	○	○	○	○	○	○	○	○
*4000 rpm geared spindle (30/35HP)	○	○	○	○	○	○	○	○	○	○
*6000 rpm geared spindle (30/35HP)	●	●	●	●	●	●	●	●	●	●
*10,000 rpm direct driven spindle (25/30HP) BBT50	○	○	○	○	○	○	○	○	○	○
*15,000 rpm direct driven spindle (25/30HP) BBT40	○	○	○	○	○	○	○	○	○	○
*Y travel extend to 2800 mm (110.2"), G0:18m/min (LB-x25 extend to 3200mm)	X	X	X	LB-321Y	LB-421Y	LB-521Y	LB-325Y	LB-425Y	LB-525Y	LB-625Y
*Y travel extend to 3350 mm (131.9"), G0:15m/min	X	X	X	X	X	X	X	LB-433	LB-533	LB-633
*Z travel of 1000 mm (39.4"), geared 6000 rpm, G0: 12m/min.	X	X	X	LB-321Z1	LB-421Z1	LB-521Z1	LB-325Z1	LB-425Z1	LB-525Z1	LB-625Z1
*Z travel of 1200 mm (47.2"), geared 6000 rpm, G0: 10m/min.	X	X	X	LB-321Z2	LB-421Z2	LB-521Z2	LB-325Z2	LB-425Z2	LB-525Z2	LB-625Z2
*Z travel of 1400 mm (55.1"), geared 6000 rpm, G0: 10m/min.	X	X	X	LB-321Z4	LB-421Z4	LB-521Z4	LB-325Z4	LB-425Z4	LB-525Z4	LB-625Z4
*Column raise up for 200mm	○	○	○	○	○	○	○	○	○	○
*Column raise up for 400mm	○	○	○	○	○	○	○	○	○	○
*Spindle & gearbox temperature control system	●	●	●	●	●	●	●	●	●	●
*Adjustable torque-limit clutch (3 axes)	●	●	●	●	●	●	●	●	●	●
*External pulse coder (3 axes)	●	●	●	●	●	●	●	●	●	●
*Centralized automatic lubricating system	●	●	●	●	●	●	●	●	●	●
*Four splash guard	X	X	X	●	●	●	●	●	●	●
*Full splash guard	●	●	●	○	○	○	○	○	○	○
*Roof enclosure guarding system	○	○	○	○	○	○	○	○	○	X
*Flood Coolant system (pump & tank)	●	●	●	●	●	●	●	●	●	●
*Recycling lubricating oil collector for 3 axes	●	●	●	●	●	●	●	●	●	●
*Twin screw & caterpillar types conveyor and bucket	●	●	●	●	●	●	●	●	●	●
*32 tools capacity of tool magazine	●	●	●	●	●	●	●	●	●	●
*60 tools capacity of tool magazine	○	○	○	○	○	○	○	○	○	○
*90 tools capacity of tool magazine	○	○	○	○	○	○	○	○	○	○
*120 tools capacity of tool magazine	○	○	○	○	○	○	○	○	○	○
*Rigid tapping	●	●	●	●	●	●	●	●	●	●
*Footswitch for tool clamping	●	●	●	●	●	●	●	●	●	●
*Remote handwheel control	●	●	●	●	●	●	●	●	●	●
*Work light	●	●	●	●	●	●	●	●	●	●
*Operation cycle finish and alarm lights	●	●	●	●	●	●	●	●	●	●
*RS232 and USB interface (Only for data transmission)	●	●	●	●	●	●	●	●	●	●
*Spray hose for chip wash down	●	●	●	●	●	●	●	●	●	●
*Heat exchanger to refit air-conditioning for electric cabinet	○	○	○	○	○	○	○	○	○	○
*Oil skimmer	○	○	○	○	○	○	○	○	○	○
*Foundation bolt kit and machine manuals	●	●	●	●	●	●	●	●	●	●
*Linear scale feedback system for 3 axes	○	○	○	○	○	●:X ○:YZ	○	○	●:X ○:YZ	●:X ○:YZ
*Coolant through the tool adapter	○	○	○	○	○	○	○	○	○	○
*Coolant through the spindle (Form A) w/1000 liter tank	○	○	○	○	○	○	○	○	○	○
*M function (SBxxxM / LBxxxM)	○	○	○	○	○	○	○	○	○	○
*Auto multi-head exchange and index in every 5° mechanism	○	○	○	○	○	○	○	○	○	○
*Angular head (90°) index in 4 positions manually	○	○	○	○	○	○	○	○	○	○
*30° head index in 4 positions manually	○	○	○	○	○	○	○	○	○	○
*Universal head indexable in C and A axis manually	○	○	○	○	○	○	○	○	○	○
*Extension head	○	○	○	○	○	○	○	○	○	○
*Swing type one head storage on the right column	○	○	○	○	○	○	○	○	○	○
*Swing type operator panel (moveable in horizontal direction)	○	○	○	○	○	○	○	○	○	○
*Hanging type operator panel (moveable in four direction)	X	X	X	○	○	○	○	○	○	○
*Automatic tool length measurement (Renishaw or Blum)	○	○	○	○	○	○	○	○	○	○
*Automatic workpiece measuring system (Renishaw or Blum)	○	○	○	○	○	○	○	○	○	○
*FANUC 31iMB controller	●	●	●	●	●	●	●	●	●	●
*Heidenhain iTNC 530 controller	○	○	○	○	○	○	○	○	○	○
*4th axis interface prepared	○	○	○	○	○	○	○	○	○	○
*CNC rotary table	○	○	○	○	○	○	○	○	○	○

**Product specifications and accessories are subject to change without notice.

**Special order like SBx23, LBx30, LBx40, LBx33 etc. are also available on request.

**With M function, SBxxxM / LBxxxM use other names in WELE domestic and Chinese markets.